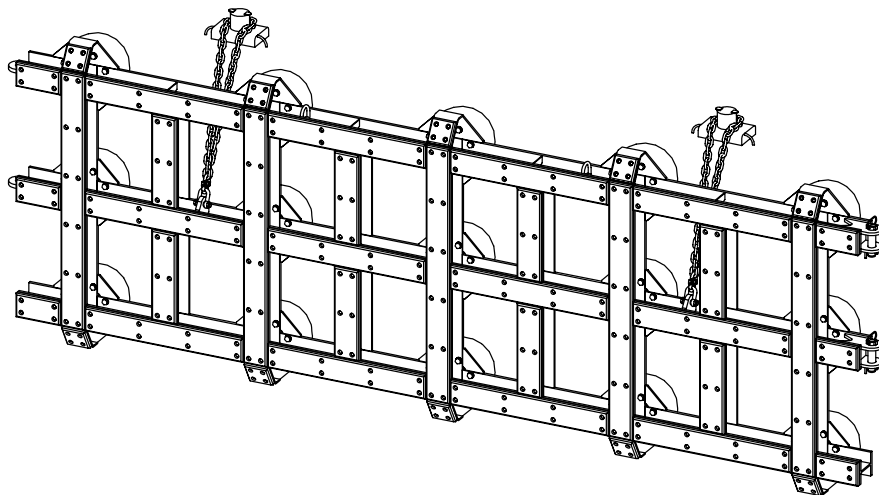




SPECIAL PRODUCTS

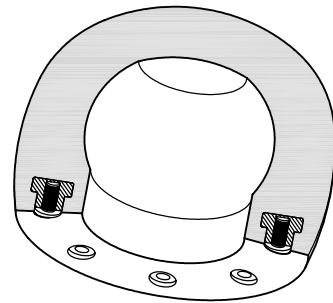
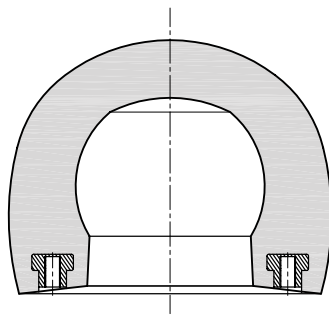
ShibataFenderTeam and partners are able to offer customized products for rubber, steel and other materials for fender application and related areas. On the following pages you will find some examples of customized fender solutions. Please contact us for further details.

FENDERRACKS FOR SHIP TO SHIP OPERATION

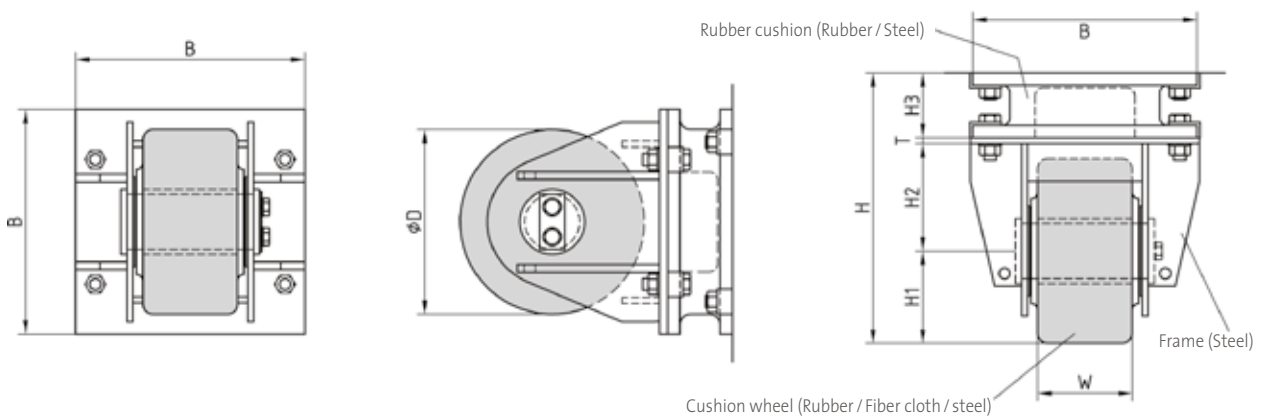




BALL FENDER

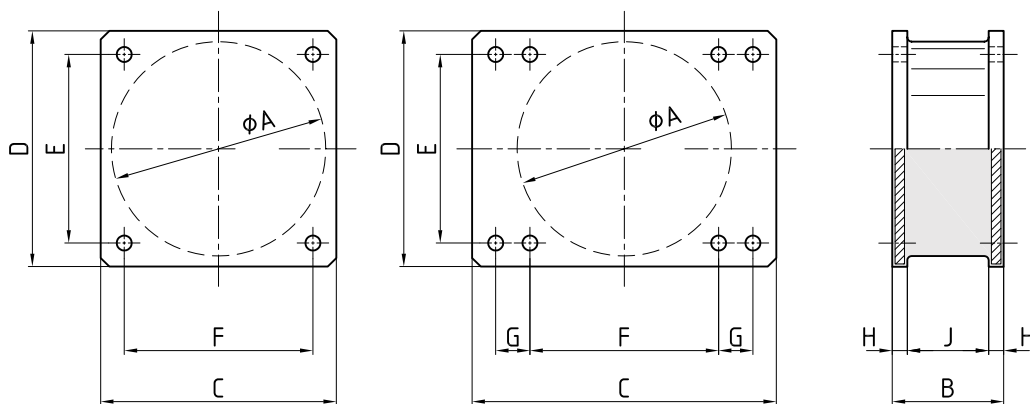


CUSHION ROLLER



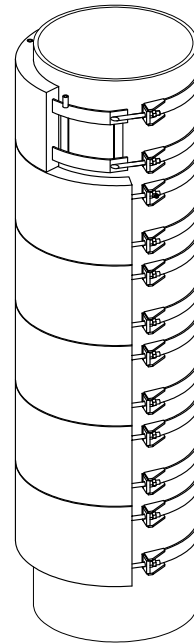
Type	B [mm]	D [mm]	H1 [mm]	H2 [mm]	H3 [mm]	T [mm]	H [mm]	Design / Load [kn]	Anchor / Bolts	Weight [kg]
CR 10	450	370	185	215	130	12	542	100	M20	130
CR 15	460	370	185	215	130	12	542	150	M20	150
CR 20	530	370	185	215	130	16	546	200	M24	200

SHEAR FENDER



Type	ϕA [mm]	B [mm]	C [mm]	D [mm]	E [mm]	F [mm]	G [mm]	J [mm]	H [mm]	Bolts	Energy [kJ]	Reaction [kN]
SF 400-180	400	180	525	525	405	405	-	136	22	M24	10.0	147
SF 500-260	500	260	710	550	440	430	80	190	35	M30	25.5	250
SF 500-275	500	275	610	610	510	510	-	231	32	M24	24.9	216

PU PILE FENDER



We offer a range of special PU Pile Fenders.
Please contact us for details.

FENDER BAR

Type	W	H	E	F	Anchors	Weight kg / m
FB 15-15	150	150	250	500	M24	38
FB 15-20	150	200	250	500	M24	43
FB 20-20	200	200	250	500	M30	65
FB 20-25	200	250	250	500	M30	77
FB 20-30	200	300	250	500	M30	88

