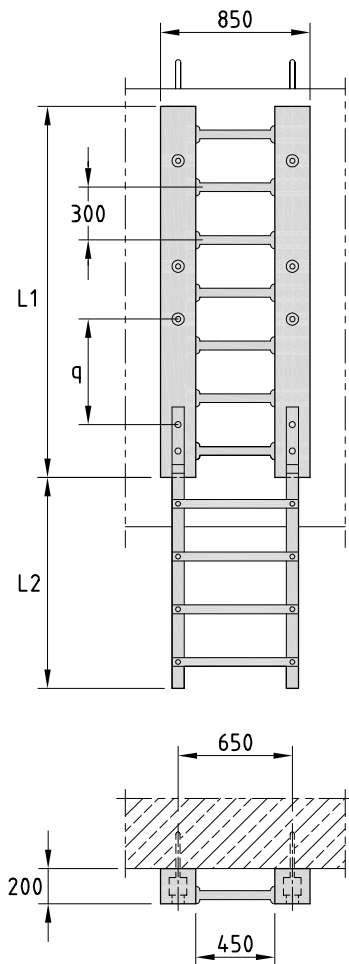


RL RUBBER LADDER DIMENSIONS

Ladder Type	Length [mm]	Weight [kg]	Rungs	Bolts	Bolt Pitch (q) [mm]
RL 200	900	93	3	2x2	300+300+300
RL 200	1,200	125	4	3x2	300+300+300+300
RL 200	1,500	157	5	3x2	300+600+300+300
RL 200	1,800	188	6	4x2	300+300+600+300+300
RL 200	2,100	221	7	4x2	300+600+300+600+300
RL 200	2,400	252	8	5x2	300+600+300+300+600+300
RL 200	2,700	284	9	5x2	300+600+600+300+600+300
RL 200	3,000	316	10	6x2	300+600+300+600+300+600+300

RL RUBBER LADDER DRAWING



Joint Ladders available in various lengths, typically max. 1,800 mm length of use (L2)



International Cruise Terminal | Singapore

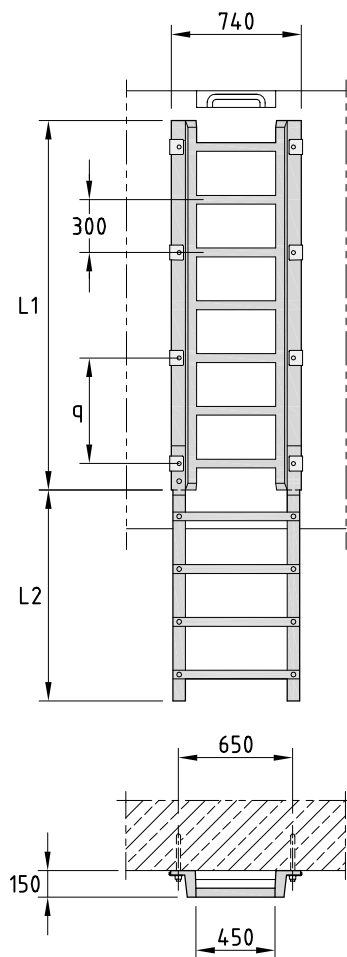


IDPT Jetty 1 | Johor | Malaysia

RV RUBBER LADDER DIMENSIONS

Ladder Type	Length [mm]	Weight [kg]	Rungs	Bolts	Bolt Pitch (q) [mm]
RV 150	600	32	2	2x2	150+300+150
RV 150	900	48	3	2x2	150+600+150
RV 150	1,200	64	4	3x2	150+450+450+150
RV 150	1,500	80	5	3x2	150+600+600+150
RV 150	1,800	96	6	3x2	150+750+750+150
RV 150	2,100	112	7	4x2	150+600+600+600+150
RV 150	2,400	128	8	4x2	150+750+600+750+150
RV 150	2,700	144	9	5x2	150+600+600+600+600+150
RV 150	3,000	160	10	5x2	150+600+750+750+600+150

RV RUBBER LADDER DRAWING



Joint Ladders available in various lengths, typically max. 1,800 mm length of use (L2)



Feed Solid Product Jetty | Johor | Malaysia



Kashima Port | Kashima | Japan